

# Daikin Air Conditioner

## Digital inputs adapter

### Installation manual BRP7A51 • 52 • 53 • 54

#### Accessories

Check if the following accessories are included in the kit.

Adapter	Relay harness	PCB support	x 4
x 1	x 1 each	Clamp	x 3
	(1)	Installation manual	x 8
	(2)		

- NOTES**
- Kits vary according to applicable models.
  - A special adapter fixing plate and box are required for the following models.

FFQ, FXZQ, FXD(Q) .....	KRP1B(A)101
FH(Y)C, FCQ-B .....	KRP1B98
FHYCP, FCQ-D • P, FXF(Q)-L • M .....	KRP1D(A)98
FCQ(N)-K, FXFQ, FCQ(H)G .....	KRP1H98
FHQ-B, FXH(Q)-L • M, FH(Y)(P) .....	KRP1C(A)93
FHQG, FHQ, FXHQ .....	KRP1D93A
FH(Y)C-B .....	KRP1C(A)98
FXC(Q)-L • M .....	KRP1B96
FXCQ .....	KRP1C96
FV(Y), FVQ .....	KRP4A(A)95
FBQ-D(A), FXMQ-P .....	KRP4A96
FXA(Q), FAQ, FAY-L .....	KRP4AA93
FUY, FXUQ, FUQ .....	KRP1B(A)97

### 1 SYSTEM OUTLINE

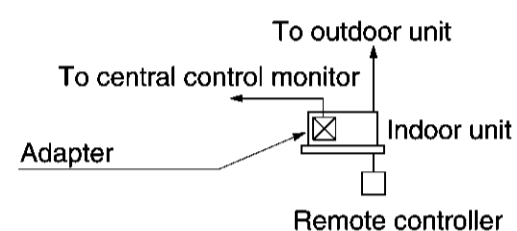
This kit enables remote control (ON/OFF control) and can be used with the following systems though it cannot be used in conjunction with other optional controllers for centralized control.

#### 1. Individual control (Each indoor unit is controlled individually.)

This system requires the following parts.

- Adapter ..... BRP7A51, 52, 53 or 54
- Remote controller ..... BRC2E52C7 or BRC3E52C7 (For operation control)

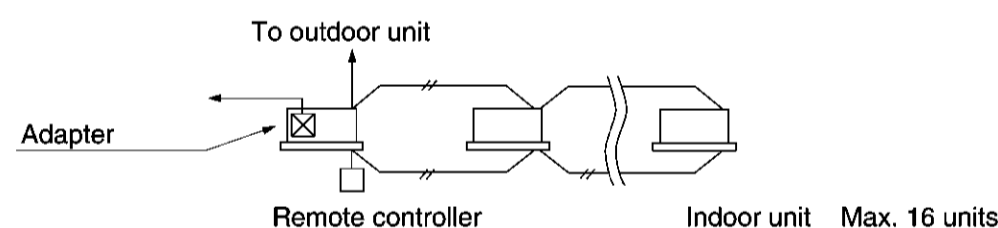
(Ex.) When individually controlling 8 FHYC71F units  
BRP7A51 x 8 kits  
BRC2E52C7 x 8 kits



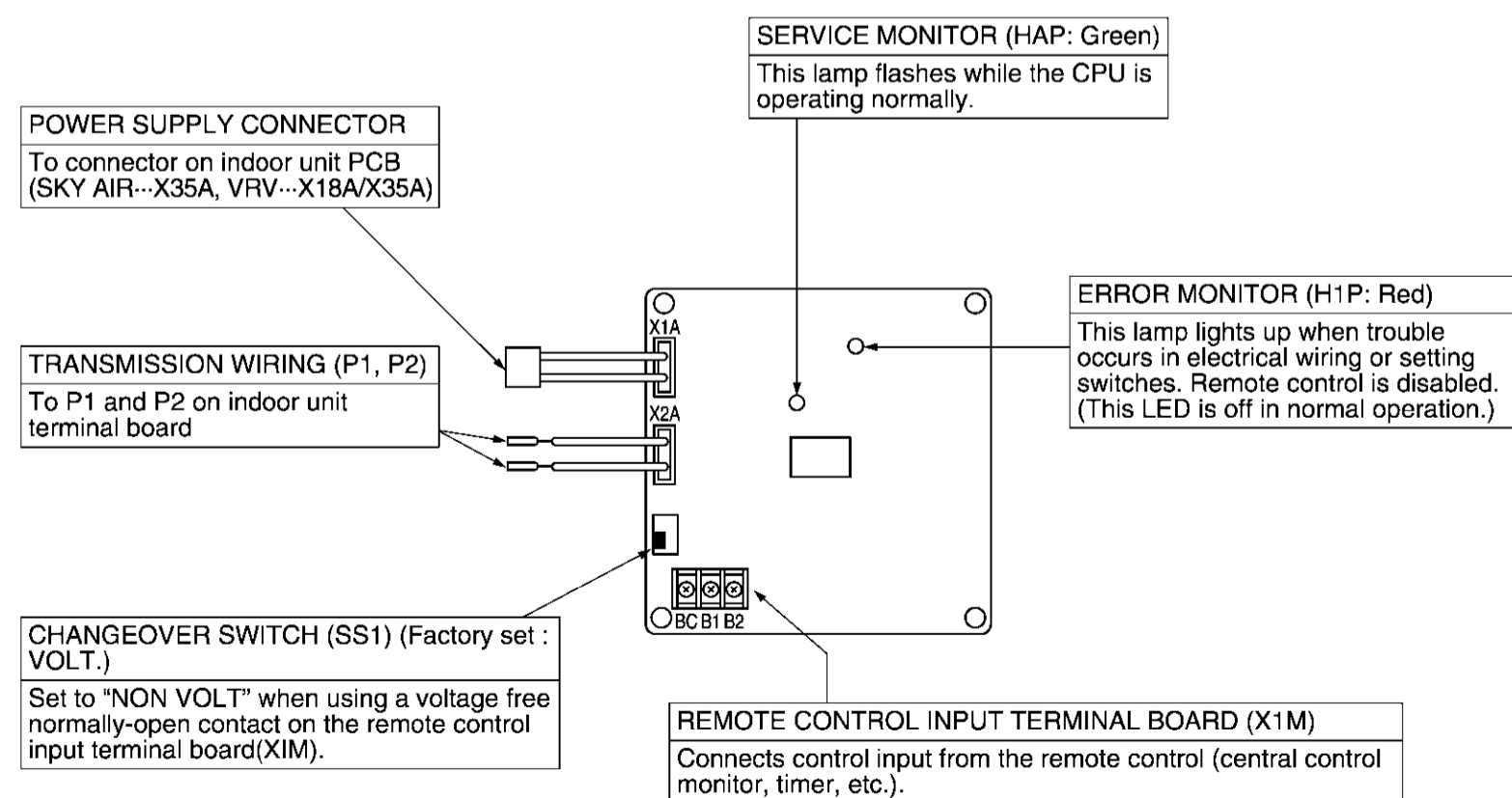
#### 2. Group control (Multiple indoor units are controlled as a group.)

This system requires the following parts.

- Adapter ..... BRP7A51, 52, 53 or 54
- Remote controller (For operation control) ..... BRC2E52C7 or BRC3E52C7



### 2 NAMES OF PARTS AND FUNCTION



For details, see ELECTRIC WIRING on the rear side.

### 3 INSTALLATION

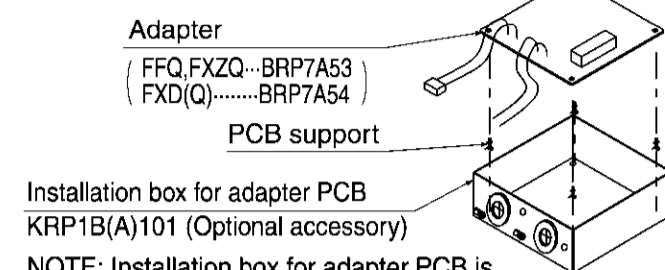
«Ceiling mounted cassette type»  
«Ceiling mounted duct type»

FFQ (600x600 Multiflow model)

FXZQ

FXD(Q) (Ceiling-mounted duct type)

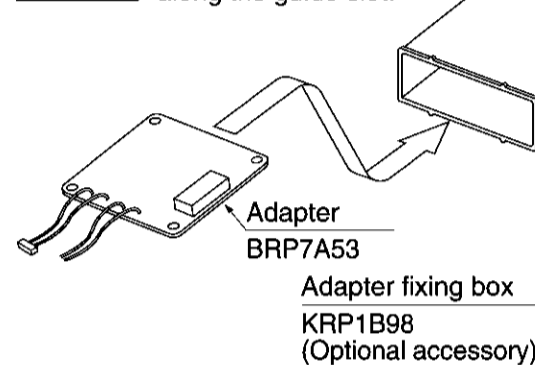
Lid of installation box  
KRP1B(A)101 (Optional accessory)



Installation box for adapter PCB  
KRP1B(A)101 (Optional accessory)

NOTE: Installation box for adapter PCB is required to install the adapter.

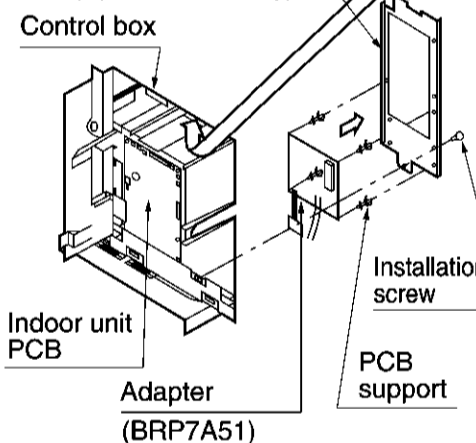
FH(Y)C Insert the adapter PCB into the adapter box along the guide slot.



«Ceiling mounted cassette type»

FXC(Q)-L•M

Installation box for adapter PCB  
KRP1B96 (Optional accessory)

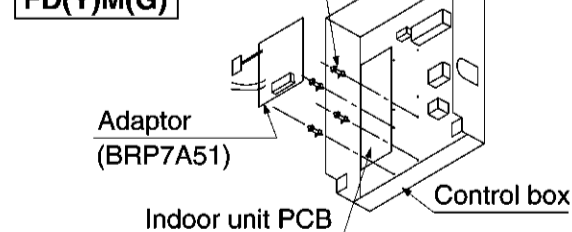


NOTE: A separate plate is needed to install the adapter PCB.

«Ceiling mounted built-in type»

FH(Y)B

FD(Y)M(G)

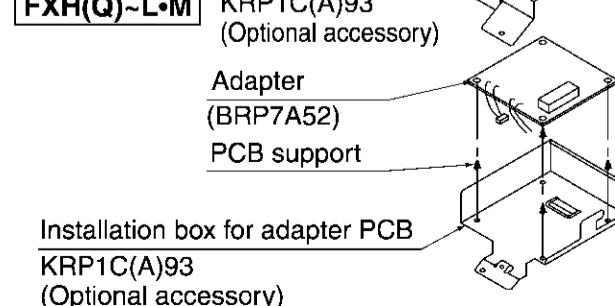


«Ceiling suspended type»

FX(Y)(P)

FHQ-B

FXH(Q)-L•M



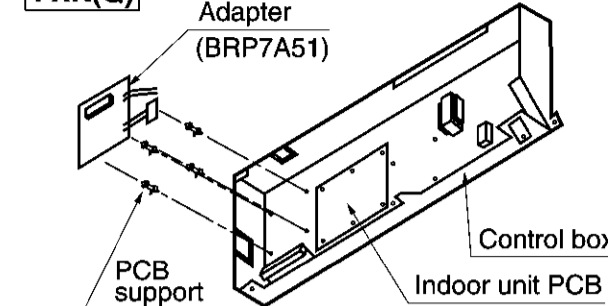
Installation box for adapter PCB  
KRP1C(A)93 (Optional accessory)

NOTE: Installation box for adapter PCB is required to install the adapter.

«Ceiling mounted cassette type»

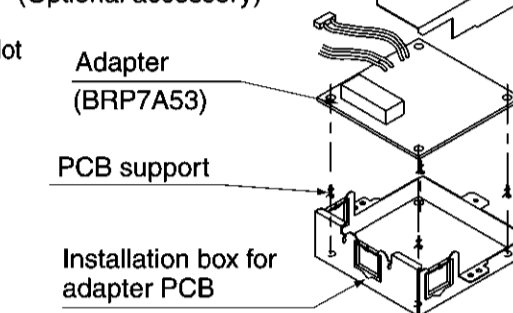
FH(Y)K(P) (Corner model)

FXK(Q)



FH(Y)C-B (Multiflow model)

Lid of installation box  
KRP1C(A)98 (Optional accessory)

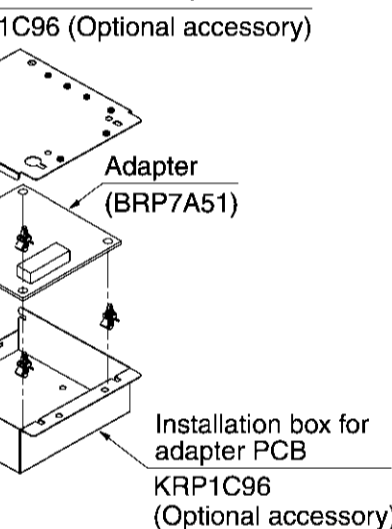


Installation box for adapter PCB  
KRP1C(A)98 (Optional accessory)

NOTE: Installation box for adapter PCB is required to install the adapter.

FXCQ

Installation box for adapter PCB  
KRP1C96 (Optional accessory)

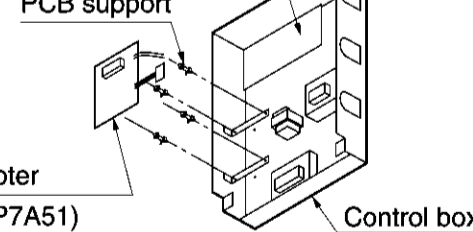


NOTE: Installation box for adapter PCB is required to install the adapter.

«Ceiling mounted built-in type»

FXS(Q)

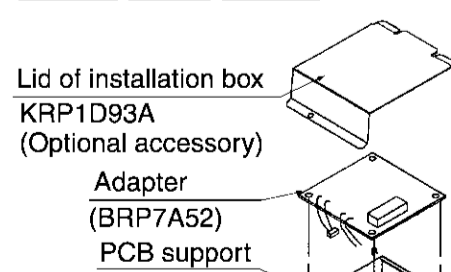
FXYB



NOTE: Installation box is necessary for second adapter (FXS).

«Ceiling suspended type»

FHQG FHQ FXHQ



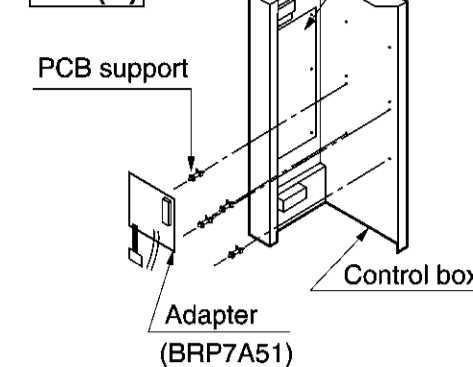
Installation box for adapter PCB  
KRP1D93A (Optional accessory)

NOTE: Installation box for adapter PCB is required to install the adapter.

«Floor standing type»

FXL(Q)

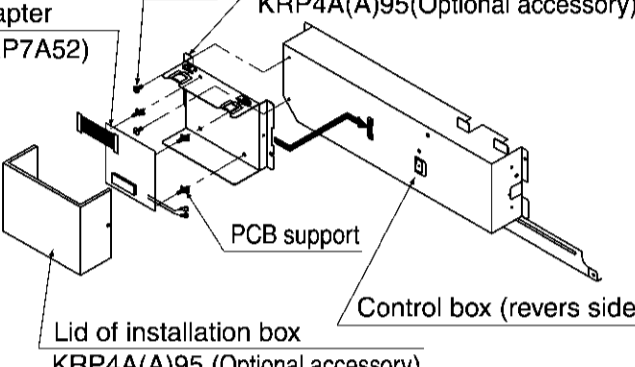
FXN(Q)



«Floor-standing type»

FV(Y)

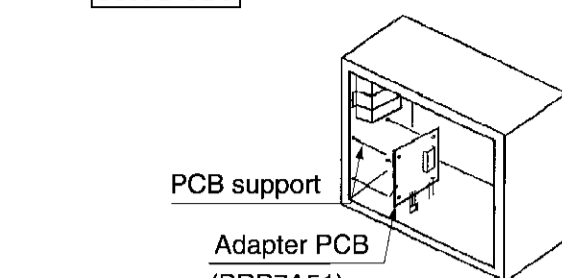
FVQ



NOTE: Installation box for adapter PCB is required to install the adapter.

«Ceiling mounted low silhouette duct type»

FXYD-KA



NOTE: Installation box is necessary for second adapter.

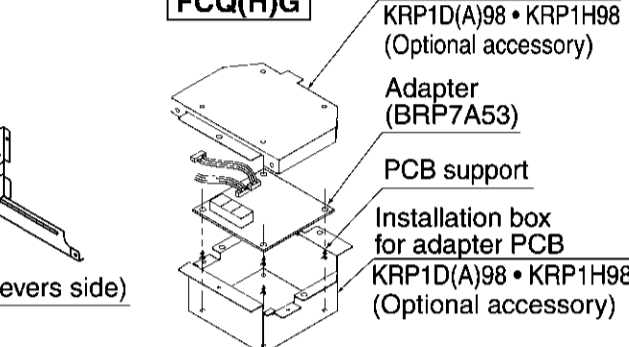
FHYCP

FCQ-D•P

FCQ(N)-K(A)

FXF(Q)

FCQ(H)G



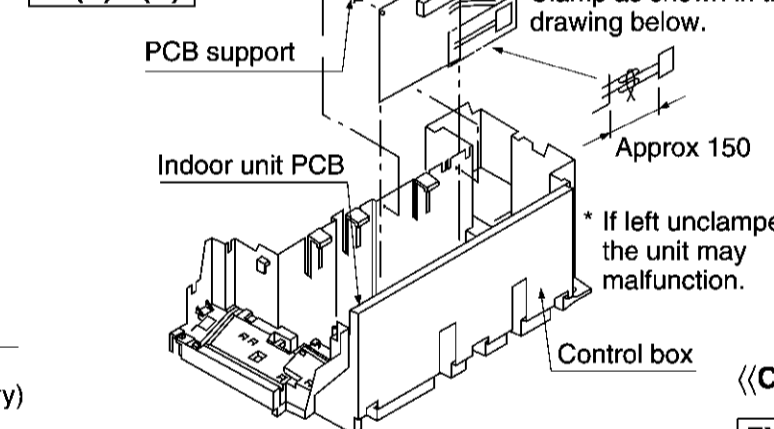
NOTE: Installation box for adapter PCB is required to install the adapter.

«Wall mounted type»

FA(Y)(P)

FAQ100BV

FA(Y)-F(A)



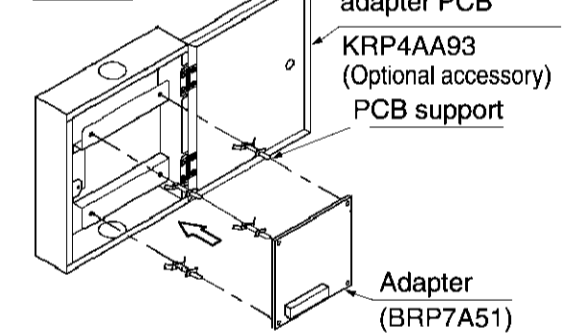
\* If left unclamped, the unit may malfunction.

«Wall mounted type»

FXA(Q)

FAQ

FAY-L

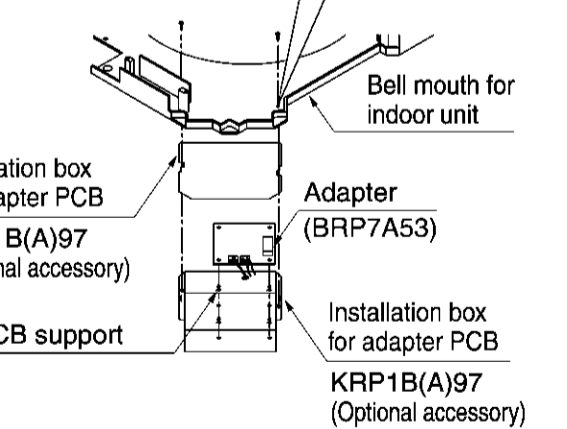


«Ceiling suspended cassette type»

FXUQ

FUY

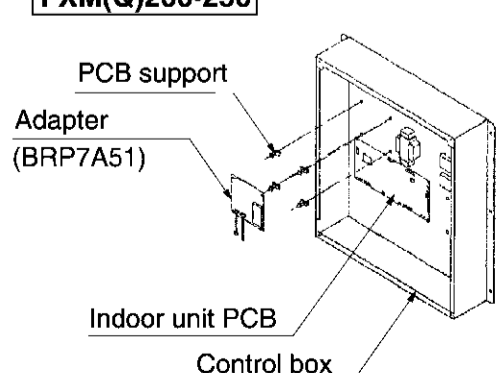
FUQ



NOTE: Installation box for adapter PCB is required to install the adapter.

«Ceiling mounted duct type»

FXM(Q)200-250

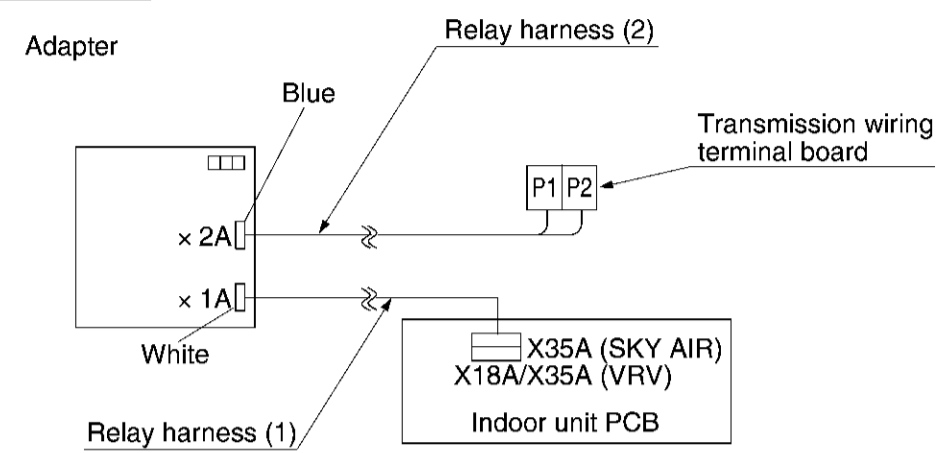


#### 4 ELECTRIC WIRING

① First, do the wiring between the indoor and outdoor units, then to the separate power sources and finally between the indoor units and the remote controllers. Next, check if they operate properly.  
(When using for group control by a remote controller, avoid cross wiring.)  
For details, see the installation manual of the indoor and outdoor units.

② Next, do the wiring between outside units such as the central control monitor and adjust the necessary settings.  
For details, see [Wiring to outside units \(central control monitor\)](#).

##### Wiring to indoor units



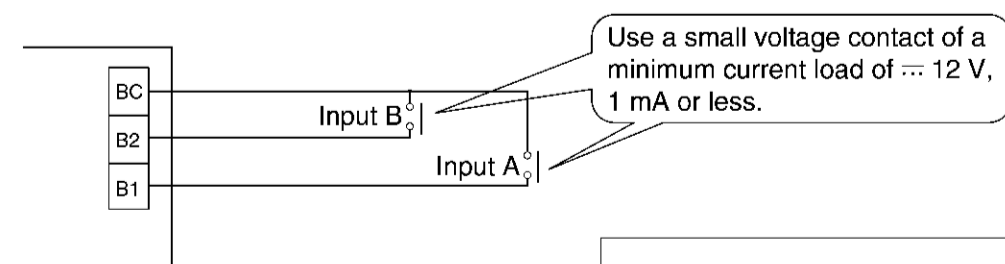
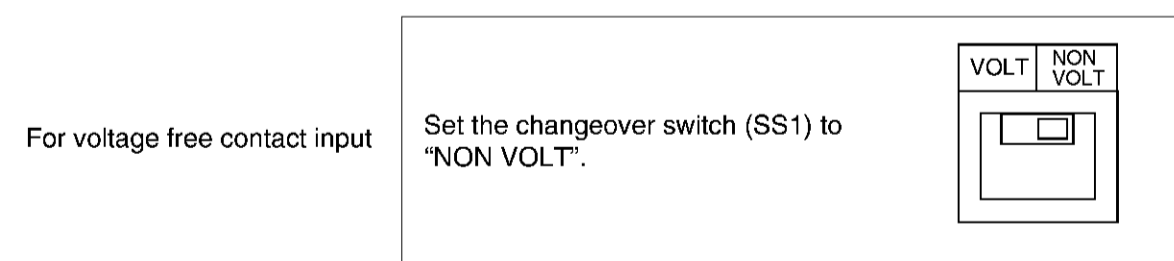
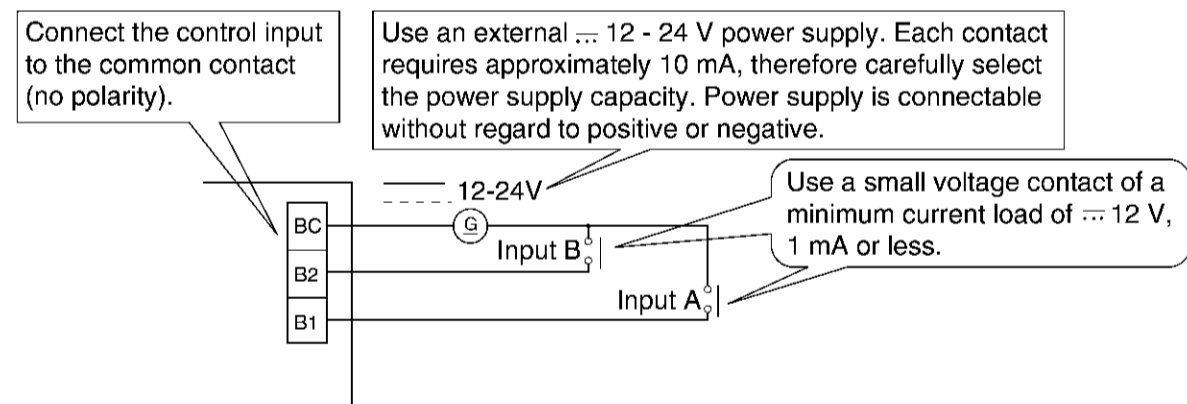
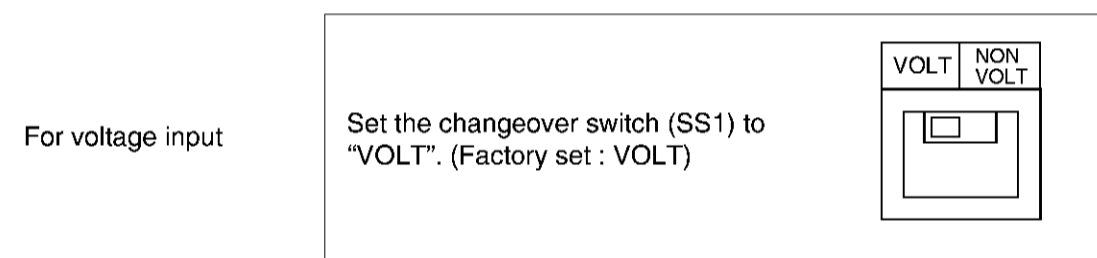
Perform the connections as shown above, using the attached relay harnesses (1) and (2).

- Connect relay harness (1) to the connector (X35A or X18A) on the indoor unit PCB.
- Relay harness (2) has no polarity. Connect it to terminals P1 and P2 on the transmission wiring terminal board inside the indoor unit control box.

##### Wiring to outside units (central control monitor)

###### 1. Remote control input (operation control)

Do the wiring as described below. Wiring differs depending on whether a voltage or no-voltage input is used.



##### (Wiring specifications)

- Wiring ... Sheathed vinyl cord or cable
- Wire size ... 0.18 - 1.25 mm<sup>2</sup>
- Length ... Max. 150 m

##### <NOTE>

Keep transmission wiring away from power supply wiring to avoid malfunctions.

###### 2. External input logic (for interlock function of hotel room)

Connect the external inputs in accordance with the following specification.

Connection specification of External inputs

Control terminal	Input name	External input logic	
		Status	Contact State
B1/BC	Input A	Windows CLOSE	close
		Windows OPEN	open
B2/BC	Input B	Key Card IN	close
		Key Card OUT	open