

READ THESE INSTRUCTIONS CAREFULLY BEFORE INSTALLATION.  
KEEP THIS MANUAL IN A HANDY PLACE FOR FUTURE REFERENCE.

**Caution**

• Refer to the installation manual for both indoor unit and the decoration panel.

**Contents of Kit** Prior to installation make sure you have the complete parts.

Name	Sealing Material A (Longitudinal Air Outlet)	Sealing Material B (Air Outlet at the Corner)	Sealing Material C (Air Outlet at the Corner)	Sealing Material D (Air Outlet at the Corner)	Tape for Fixing the Sealing (Air Outlet at the Edge)
Quantity	2 pieces	1 piece	1 piece	1 piece	2 pieces
Shape - marking					

Name	Tape for Fixing the Sealing (Air Outlet at the Corner)	Moisture Absorber (Inside 1)	Moisture Absorber (Inside 2)
Quantity	3 pieces	2 pieces	1 piece
Shape - marking			

Name	Moisture Absorber (Outside)	Moisture Absorber (Bridge)	Insulation for Side Plate	Moisture Absorber (Swing Flap)	Moisture Absorber (Corner of Panel)
Quantity	1 piece	1 piece	2 pieces	4 pieces	8 pieces
Shape - marking					

Sealing sticking method divides into Type X and Y by the capacity indication. (See below table.)

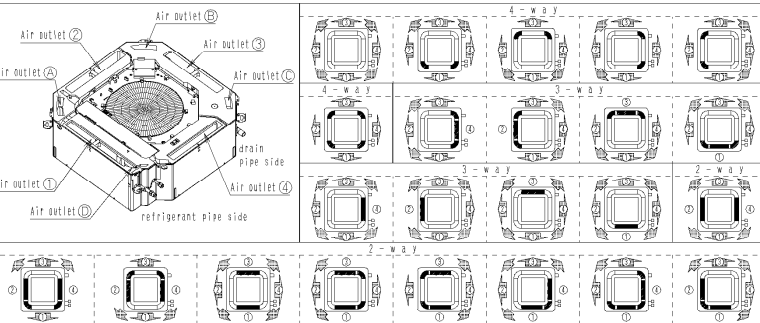
Model	Type X	Type Y
FCD	35 ~ 60	71 ~ 140
FCOH	—	71 ~ 140
FXFD	20 ~ 40	50 ~ 125

**1 The direction of air discharge and the positioning of sealing material**

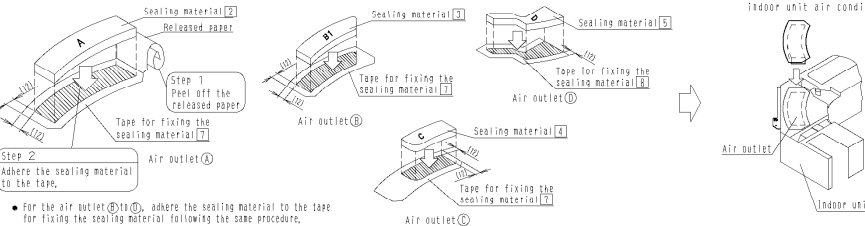
(1) Selection of the air outlet

• Select the direction of air discharge from the following table according to the location of the indoor unit.  
• Refer to the **Setting of indoor unit** for setting position number.  
• Refer to the INSTALLATION MANUAL attached to the indoor unit for selection of installation location.

**Caution** Never select the direction of air discharge other than the following pattern. (It may cause condensation.)

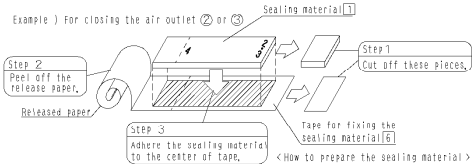


(2) Prepare the sealing material and the tape for fixing the sealing material according to the air outlet (A) to (D) to be closed. (Adhere the sealing material as below figure.)



• For the air outlet (A) to (D), adhere the sealing material to the tape for fixing the sealing material following the same procedure.

**Caution** • The sealing material must be set in the proper direction.  
• Make sure to adhere the tape for fixing the sealing material so that (A) - (D) can be seen as shown above.  
• When closing both the air outlet (A) and (B), adhere the sealing material at the air outlet (A) first.  
(4) Prepare the sealing material and the tape for fixing the sealing material according to the air outlet (A) to (D) to be closed.  
• Cut off the sealing material and the tape along the perforated lines (marked ---).  
• Adhere the sealing material to the tape. (Make sure that the sealing material is placed at the center of the tape.)



• When closing the air outlet (E), it is not required to work on the sealing material.

**Caution** The sealing material has directional characteristics. Make sure to adhere the tape for fixing the sealing material so that (A) - (D) can be seen as shown above.

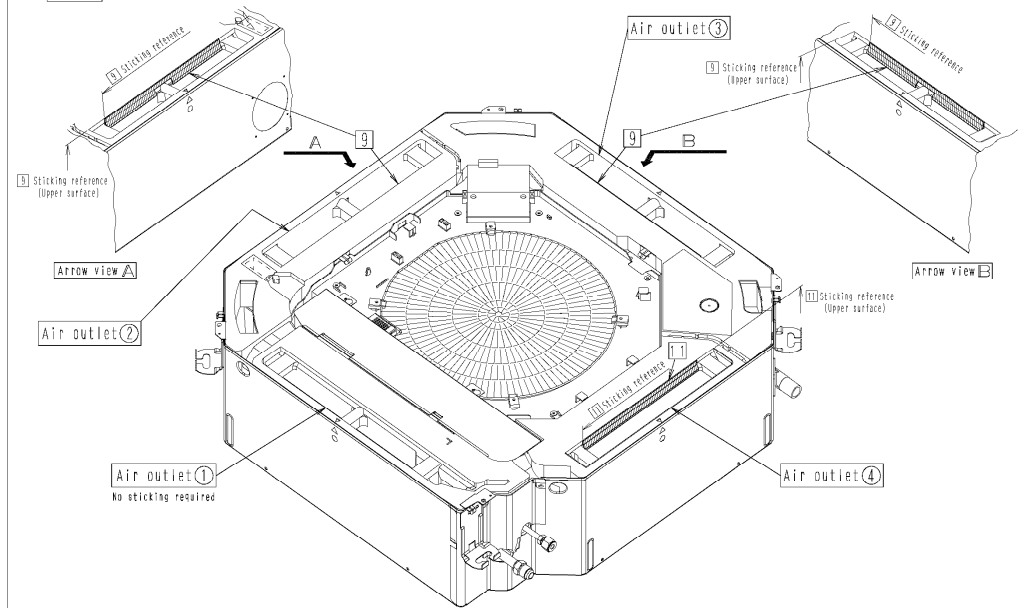
**2 Sticking of the moisture absorber on the air outlet**

• Adhere the moisture absorbers in the below table to the air outlet which have not been closed according to 1 following the below procedure.

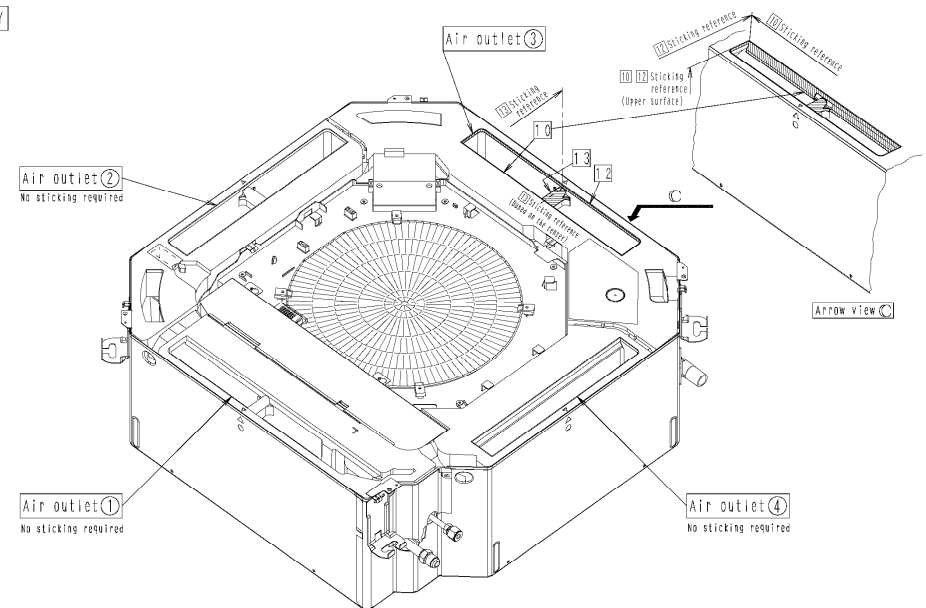
	Type X	Type Y
Air outlet (1)	—	—
Air outlet (2)	Moisture absorber (9) total 1 piece	—
Air outlet (3)	Moisture absorber (9) total 1 piece	Moisture absorber (10) (7) (13) total 3 pieces
Air outlet (4)	Moisture absorber (13) total 1 piece	—

**Caution** • If the moisture absorber is not adhered, it may cause condensation.

**Type X**



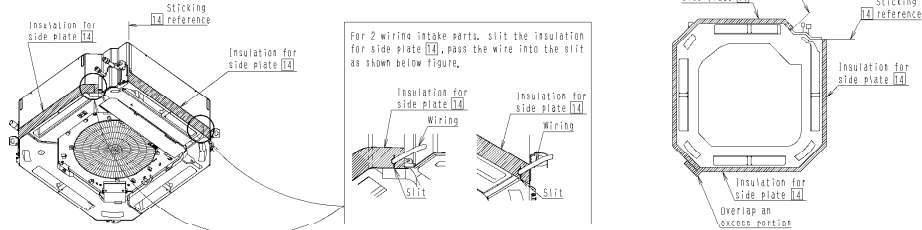
**Type Y**



### 3 Installation of the insulation for the indoor unit

- Please turn off the power supply for safety absolutely, before you do installation of the decoration panel and affixation of insulation and connected work of swing connector.
- Adhere the insulations for side plate (14) in position, referring following figure.

**Caution** If the insulation is not adhere, it may cause condensation.

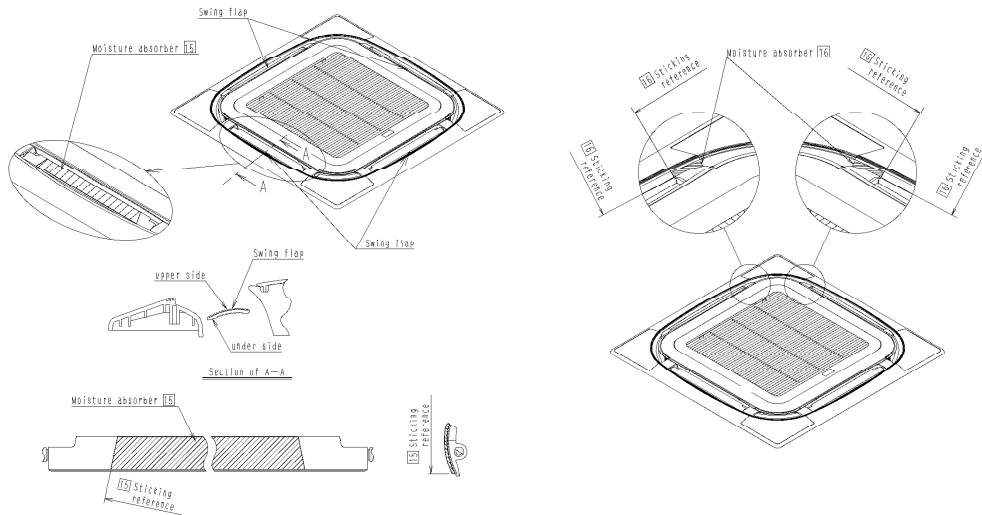


### 4 Sticking of the moisture absorber on the swing flap for panel

- Work on a soft cloth not to be damaged the panel.
- Do not exert force on the swing flap, it causes the malfunction of the swing flap.

**Caution** If the moisture absorber and the sealing material is not adhere, it may cause condensation.

- ① Adhere the moisture absorber (15) in position, referring following figure. Adhere the moisture absorber to the swing flap of all air outlets following the same procedure.
- ② Adhere the moisture absorber (16) in position, referring following figure. Adhere the moisture absorber to all corners following the same procedure.



### 5 Setting for indoor unit

- It is required to make a field setting from the remote controller according to how the indoor units are installed.

- The 3 different kinds of setting such as "Mode number", "First code" and "Second code number" must be made by the remote controller.
- Refer to the item of "Field settings" in the installation manual of the remote controller for the setting procedure.

① Setting according to number of use of the air discharge.

Check the setting position number corresponding to the direction of air discharge in a upper right table.

(Note) When the setting of the ceiling height exceeds the standards, the setting (03) is also required.

② Setting according to height of ceiling.

For the ceiling height, see the middle right table which shows the standard of ceiling height and number of air outlets to be used. Then, taking this standard into account, make a field setting of ceiling height from the remote controller according to the lower right table.

(Content of setting) (Setting according to number of air outlets to be used)

number of air outlets to be used	Mode number	First code number	Second code number
4-way air discharge	13(23)	1	01
3-way air discharge			02
2-way air discharge			03

(Content of setting) (Setting according to ceiling height)

Ceiling height	Mode number	First code number	Second code number
Standard	13(23)	0	01
Semi-high			02
High			03

(Standards of ceiling height and number of air outlets to be used)

Indoor unit (FHVCP, FAX)	number of air outlets to be used					
	Type X			Type Y		
	4-way air discharge	3-way air discharge	2-way air discharge	4-way air discharge	3-way air discharge	2-way air discharge
Standard	~2.7	~3.0	~3.5	~3.2	~3.6	~4.2
Semi-high	2.7~3.0	3.0~3.3	3.5~3.8	3.2~3.6	3.6~4.0	~4.2
High	3.0~3.5	3.3~3.5	—	3.6~4.2	4.0~4.2	—

(Ceiling height is reference value)