



IMPROPER INSTALLATION OR ATTACHMENT OF EQUIPMENT OR ACCESSORIES COULD RESULT IN ELECTRIC SHOCK, SHORT-CIRCUIT, LEAKS, FIRE OR OTHER DAMAGE TO THE EQUIPMENT. BE SURE ONLY TO USE ACCESSORIES MADE BY DAIKIN WHICH ARE SPECIFICALLY DESIGNED FOR USE WITH THE EQUIPMENT AND HAVE THEM INSTALLED BY A PROFESSIONAL.

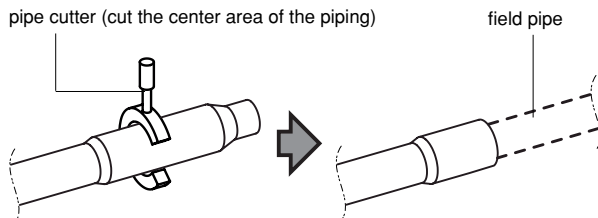
IF UNSURE OF INSTALLATION PROCEDURES OR USE, ALWAYS CONTACT YOUR DAIKIN DEALER FOR ADVICE AND INFORMATION.

THIS KIT INCLUDES THE FOLLOWING PARTS

	liquid branch	suction gas header	liquid branch heat insulation material	suction gas heat insulation material
KHRQ58H7	<p>✓</p>	<p>✓</p>	<p>1 set</p>	<p>1 set</p>
KHRQM58H7	<p>✓</p>	<p>✓</p>	<p>1 set</p>	<p>1 set</p>

INSTALLATION PROCEDURE

For the inlet/outlet pipes which can be connected in several pipe diameters: cut the connections of the required pipe diameter with a pipe cutter.



INSTALLATION PRECAUTIONS



Make sure to flow nitrogen gas through the pipe when brazing.

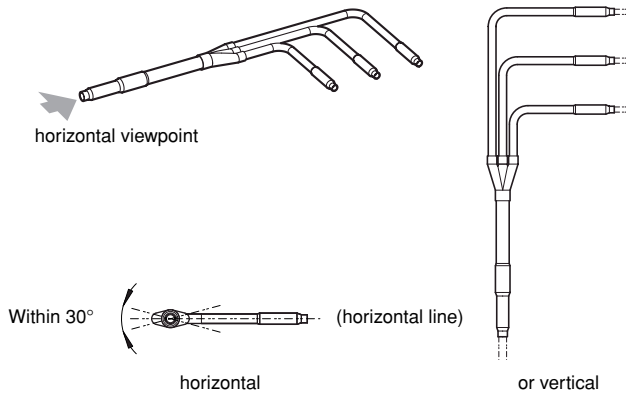


Make sure to avoid stress on headers. Do not tighten fixations too hard. (Copper tube length changes considerably under temperature fluctuations.)

Installation orientation

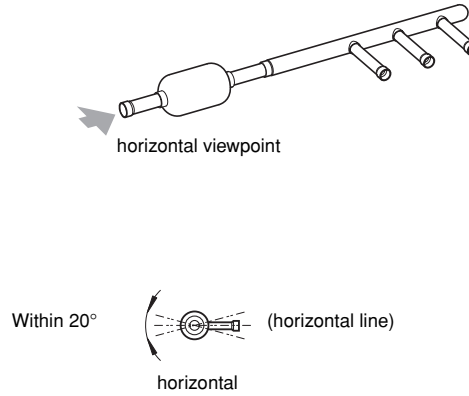
Liquid branch

Install the branches so that they are oriented vertically or horizontally.



Gas side header

Install the header so that it is horizontal.

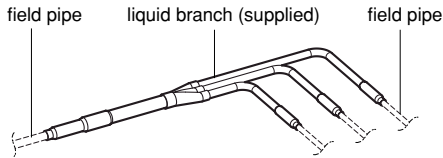


Heat insulation

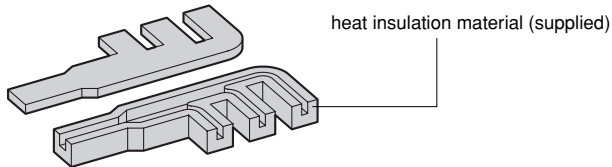
Be sure to insulate the branches and headers against heat.

Liquid branch

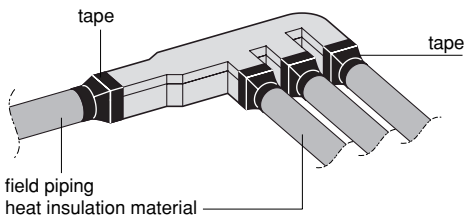
- Example of connected branch.



- Use the supplied heat insulation material to insulate the branches against heat.

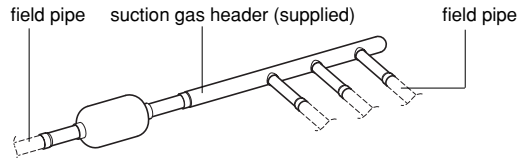


- Apply the heat insulation material and seal all connections with tape.

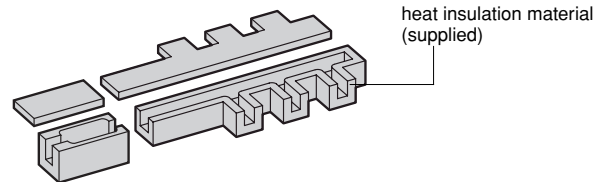


Gas side header

- Example of connected gas header.



- Use the supplied heat insulation material to insulate the headers against heat.



- Apply the heat insulation material and seal all connections with tape.

